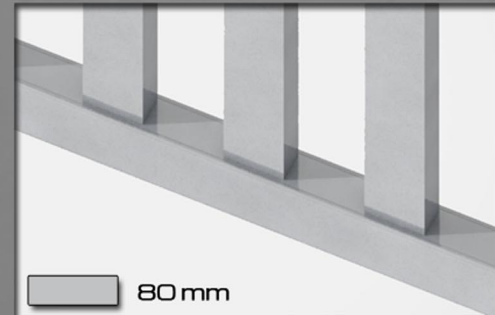
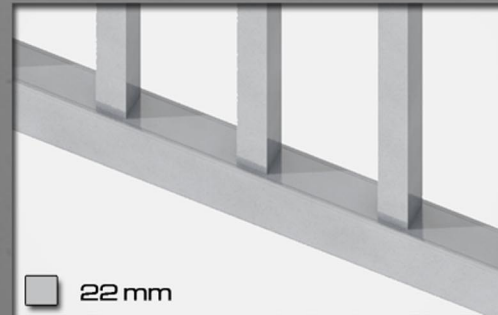
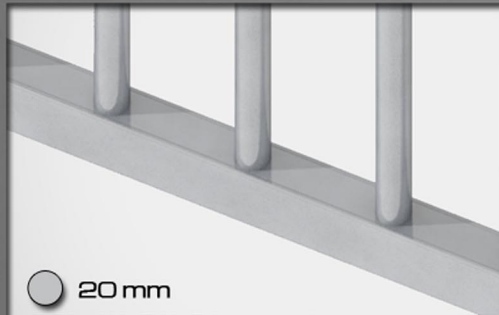


- FEATURES

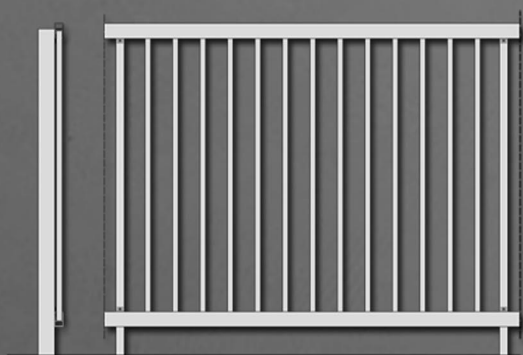
Railing formed by a structure realized with aluminium extruded profiles and thin vertical tubular profiles available rounded, squared or rectangular.

- PROFILES AVAILABLE

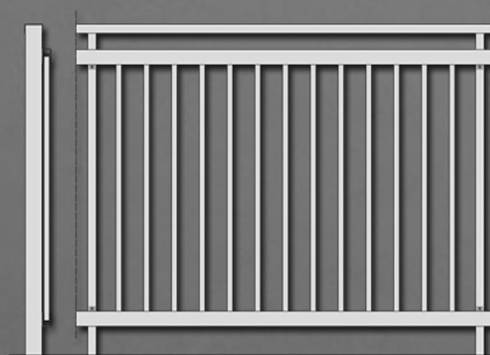


- CONFIGURATIONS

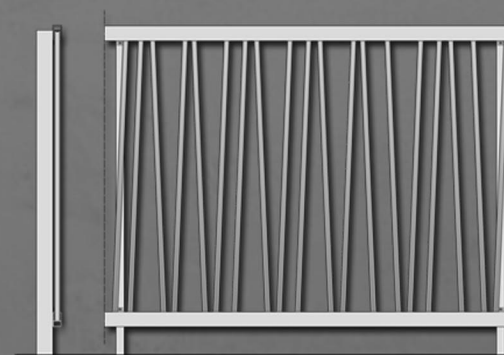
It is possible to obtain different configurations according to the requests. Using our fixing techniques, uprights can be fixed directly on slab or front slab. It is also available the insert of a handrail.



Standard



With handrail



Inclined profiles

